

SKW17A Datasheet

USB WiFi Module

Document Information		
Title	SKW17A–USB WiFi Module Datasheet	
Document type	Datasheet	
Document number	SL-19020105	
Revision and date	V1.03	13-July -2023
Disclosure restriction	Public	

Revision History:

Revision	Description	Approved	Date
V1.01	Initial	George	20190118
V1.02	Linux Driver Update	George	20200430
V1.03	Update feature description	Wendy	20230713

SKYLAB reserves all rights to this document and the information contained herein. Products, names, logos and designs described herein may in whole or in part be subject to intellectual property rights. Reproduction, use, modification or disclosure to third parties of this document or any part thereof without the express permission of SKYLAB is strictly prohibited.

The information contained herein is provided “as is” and SKYLAB assumes no liability for the use of the information. No warranty, either express or implied, is given, including but not limited, with respect to the accuracy, correctness, reliability and fitness for a particular purpose of the information. This document may be revised by SKYLAB at any time. For most recent documents, visit www.skylab.com.cn.

Copyright © 2019, Skylab M&C Technology Co., Ltd.

SKYLAB® is a registered trademark of Skylab M&C Technology Co., Ltd in China

Contents

1. General Description	4
2. Applications	4
3. Features	5
4. Applications Block Diagram	5
5. Ordering Information	5
6. Performance Specification	6
6.1 Wireless Specifications	6
6.2 Transmit Power And Receive Sensitivity	7
7 Electrical Characteristics	8
7.1 Absolute Maximum Rating	8
7.2 Operating Conditions	9
7.3 Power Consumption for 2.4 GHz Operation	9
8. Module Pinout	10
Pin Description	10
9. PCB Dimensions	11
10. Manufacturing Process Recommendations	12
11. Reference design schematic	13
12. Packaging Specification	14
13. Contact Information	14

1. General Description

SKW17A is a 802.11n/ b/g WiFi one-stream USB interface designed specifically to provide enhanced WiFi performance and value for home gateways, set-top boxes, gaming consoles, printers, IP cameras, and variety of other products that host processors not originally intended to support WiFi functions. SKW17A's MT7601 single-chip features a new architecture that integrates both a CPU and memory to run more of the WiFi function on-chip. The integrated CPU offloads the wireless processing overhead from the host appliance and enables consumer electronic devices to support WiFi functions seamlessly without change of original host processors.



Figure 1: SKW17A Top View

2. Applications

- ◆ Desktop Computer
- ◆ Laptop Computer,
- ◆ IP Camera
- ◆ IP TV
- ◆ IP DVD(Internet VOD Player)
- ◆ Set Top Box
- ◆ Home Gateways
- ◆ Gaming Consoles
- ◆ Printers

3. Features

- ◆ Compliant to IEEE 802.11b/g/n WLANs
- ◆ 2.4 GHz WLAN MAC/BB processing
- ◆ Security: WEP 64/128, WPA, WPA2, TKIP, AES, WAPI
- ◆ Supports for Windows XP 32/64, 2000, Vista 32/64bit, Windows 7 32/64bit
- ◆ Support Linux up to V3.10, and support for Android.
- ◆ Power Supply: 3.3V
- ◆ USB 2.0 high speed interface.
- ◆ Supports 72.2 Mbps for 20 MHz and 150 Mbps for 40 MHz channel operations.
- ◆ RoHS certificated meets environment-friendly requirement.
- ◆ 18.3(L) x 16.5(W) x 2.8(H) mm small dimension

4. Applications Block Diagram

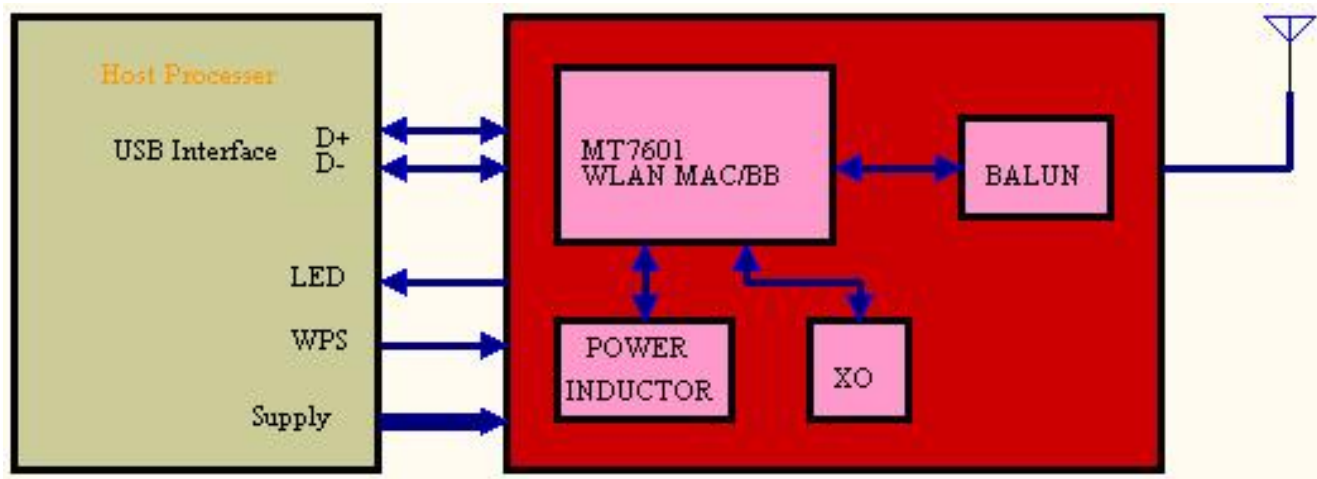


Figure 2: SKW17A Block Diagram

5. Ordering Information

Module NO.	RF Connector Type	Antenna Option
SKW17A	IPEX Connector	Ext Antenna
SKW17AP	PCB Pin	Ext Antenna

6. Performance Specification

6.1 Wireless Specifications

Model	SKW17A
Antenna Type	IPEX connector or PCB Antenna
Standard Conformance	802.11b, 802.11g, and 802.11n
Frequency Range	USA: 2.400 ~ 2.483GHz
	Europe: 2.400 ~ 2.483GHz
	Japan: 2.400 ~ 2.497GHz
	China: 2.400 ~ 2.483GHz
Modulation Technique	DSSS with CCK, DQPSK, DBPSK
	OFDM with BPSK, QPSK, 16QAM, 64QAM
Channel Spacing	5MHz/20MHz/40MHz
Data Rate	802.11b: 1, 2, 5.5 and 11Mbps
	802.11g: 6, 9, 12, 18, 24, 36, 48, 54Mbps
	802.11n: 20MHz channel: 1Nss: 65Mbps @ 800GI, 72.2Mbps @ 400GI (Max.)
	40MHz channel: 1Nss: 135Mbps @ 800GI, 150Mbps @ 400GI (Max.)
Operating Channels	USA/Canada: 11 (1~11)
	Major Europe Countries: 13 (1~13)
	France: 4 (10~13)
	Japan: 14 for 802.11b (1~13 or 14th), 13 for 802.11g (1~13)
	China: 13 (1~13)
Wi-Fi Compliance	Wi-Fi 2.4GHz by request
Certification	
Security	64/128/152-bit WEP encryption
	WPA/WPA2 encryption
	AES-CCM & TKIP encryption

6.2 Transmit Power And Receive Sensitivity

Transmit Power	target power tolerance ± 2 dBm			
	802.11b:	+18 dBm for 802.11b CCK		
	802.11g:	+16dBm @ 6, 9, 12,18,24,36,48Mbps		
		+15dBm @ 54Mbps		
	802.11n HT20:	+15dBm @ MCS 7/15		
	802.11n HT40:	+15dBm @ MCS 7/15		
Receiver Sensitivity		Data Rate	IEEE Spec(1 Rx dBm)	Typical
	802.11b	1M	-82	-92
		5.5M	-80	-89
		11M	-76	-87
	802.11g	6M	-82	-92
		9M	-81	-92
		12M	-79	-91
		18M	-77	-90
		24M	-74	-86
		36M	-70	-83
		48M	-66	-78
		54M	-65	-76
	802.11n HT20	MCS0	-82	-92
		MCS1	-79	-91
		MCS2	-77	-90
		MCS3	-74	-85
		MCS4	-70	-82
		MCS5	-66	-79
		MCS6	-65	-75
		MCS7	-64	-73
	802.11n HT40	MCS0	-79	-88
		MCS1	-76	-87
		MCS2	-74	-86
		MCS3	-71	-82
MCS4		-67	-78	
MCS5		-63	-75	

		MCS6	-62	-72
		MCS7	-61	-70
Operation Distance		Outdoor		Indoor
	802.11b	150m @ 11Mbps		30m @ 11Mbps
		300m @ 1Mbps		100m @ 1Mbps
	802.11g	50m @ 54Mbps		30m @ 54Mbps
		300m @ 6Mbps		100m @ 6Mbps
	802.11n HT20	30m @ 150Mbps		20m @ 150Mbps
		30m @ 65Mbps		20m @ 65Mbps
		250m @ 6.5Mbps		100m @ 6.5Mbps

7 Electrical Characteristics

7.1 Absolute Maximum Rating

Parameter	Symbol	Min	Max	Units
Supply Voltage	VCC_3V3	0.3	4	V
RF input (reference to 50 Ω)	RFin		10	dBm
Storage Temperature	Tstore	-40	125	°C
Junction Temperature	Tjunction		125	°C
Electrostatic Discharge Tolerance	ESD		2000	V

SKW17A series modules are Electrostatic Sensitive Devices and require special precautions while handling.



ESD precautions

The SKW17A series modules contain highly sensitive electronic circuitry and are Electrostatic Sensitive Devices (ESD). Handling the SKW17A series modules without proper ESD protection may destroy or damage them permanently.

The SKW17A series modules are electrostatic sensitive devices (ESD) and require special ESD precautions typically applied to ESD sensitive components. Proper ESD handling and packaging procedures must be applied throughout the processing, handling, transportation and operation of any application that incorporates the SKW17A series module. Don't touch the module by hand or solder with non-anti-static soldering iron to avoid damage to the module.

7.2 Operating Conditions

Parameter	Symbol	Min	Typ	Max	Units
Supply Voltage	VCC_3V3	3	3.3	3.6	V
RF input (reference to 50 Ω)	RFin		10	dBm	dBm
Operation temperature	Toperation	-20	25	70	°C
Thermal Parameter	PsiJT			3.23	°C/W

7.3 Power Consumption for 2.4 GHz Operation

Mode	Operating Mode	VDD_3V3(mA)	Max(mA)
HT40 @15dBm	Standby	50	
	TX	135	330
	RX	101	
802.11b @18dBm	Sleep	50	
	TX	205	330
	RX	101	

Note: For Tx, transmitter and synthesizer are on. Tx power at 18 dBm for 802.11b and 15 dBm for HT40. For Rx, receiver and synthesizer are on with maximum receiver gain.

8. Module Pinout

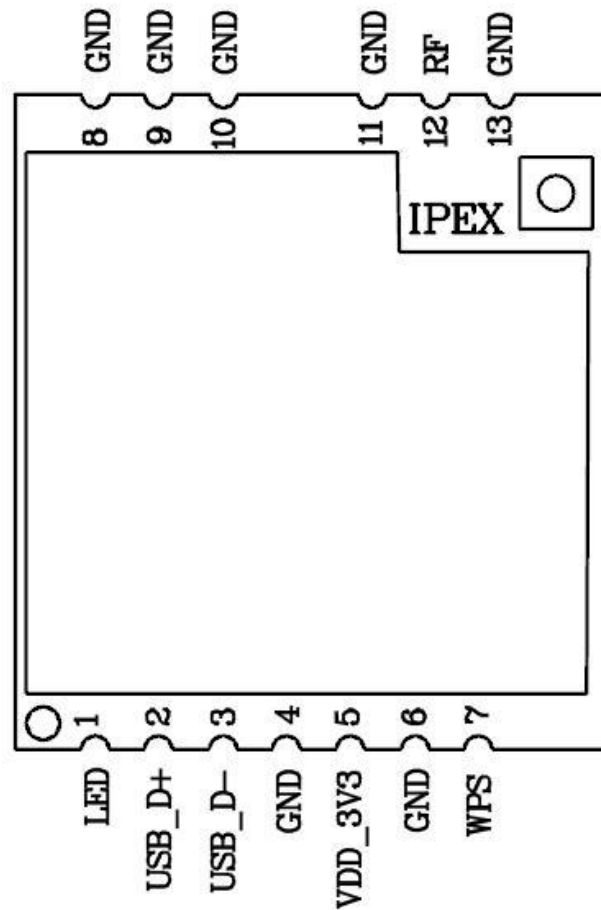


Figure 3: SKW17A Pin Name

Pin Description

Pin No.	Pin name	I/O	Description	Remark
1	LED	O	Light Emitting Diode Driver	up to 10mA
2	USB_D+	I/O	USB Interface DP	
3	USB_D-	I/O	USB Interface DM	
4	GND	G	Ground	
5	VDD_3V3	P	Module Power Supply	
6	GND	G	Ground	
7	WPS	I	Wi-Fi Protected Setup	Internal 100 KΩ PU

8	GND	G	Ground	
9	GND	G	Ground	
10	GND	G	Ground	
11	GND	G	Ground	
12	RF	RF port	Antenna PIN	For SKW17AP
IPEX	RF	RF port	Antenna Connect	For SKW17A
13	GND	G	Ground	

9. PCB Dimensions

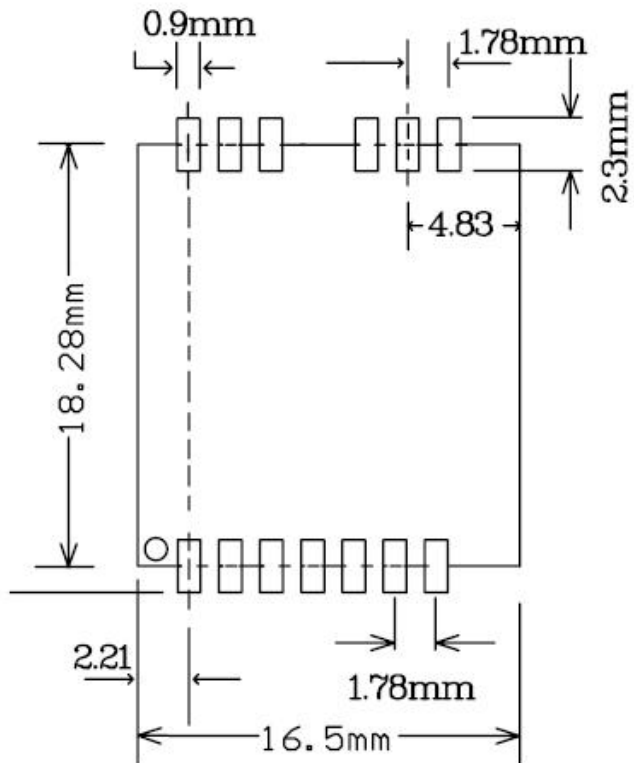


Figure 4: SKW17A Dimensions

10. Manufacturing Process Recommendations

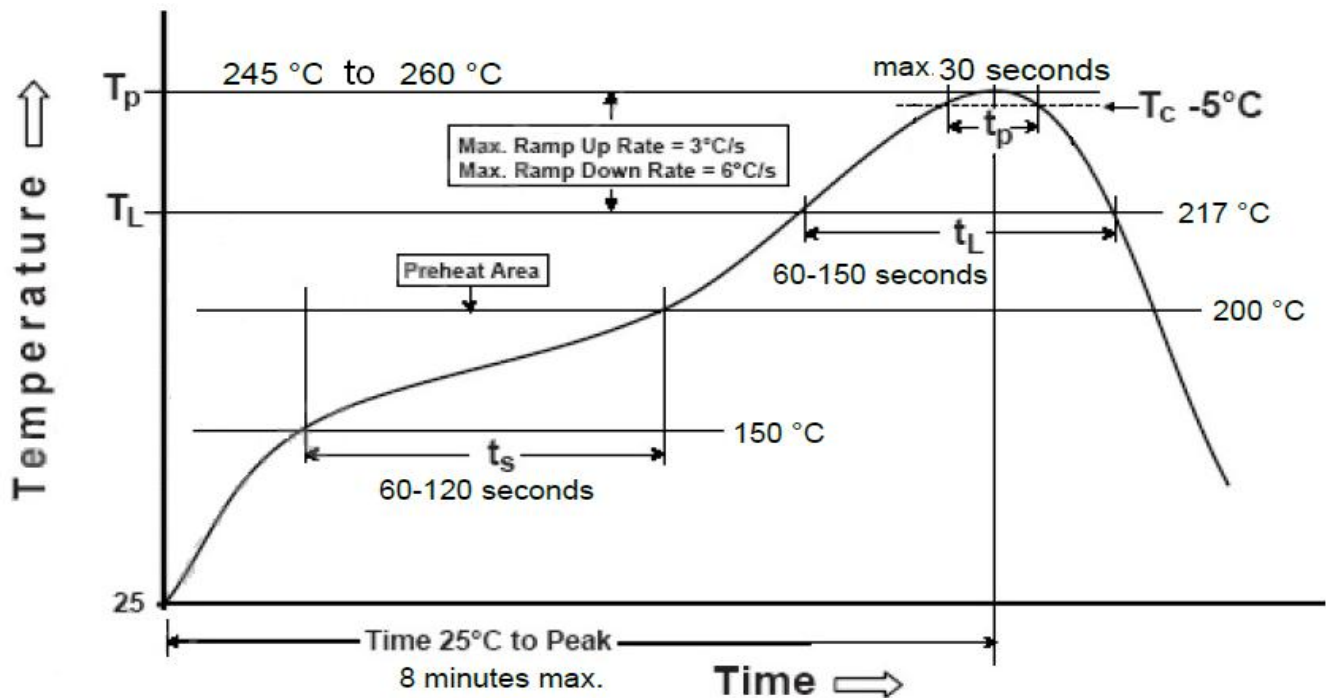


Figure 5: SKW17A Typical Leadfree Soldering Profile

Note: The final soldering temperature chosen at the factory depends on additional external factors like choice of soldering paste, size, thickness and properties of the baseboard, etc. Exceeding the maximum soldering temperature in the recommended soldering profile may permanently damage the module.

11. Reference design schematic

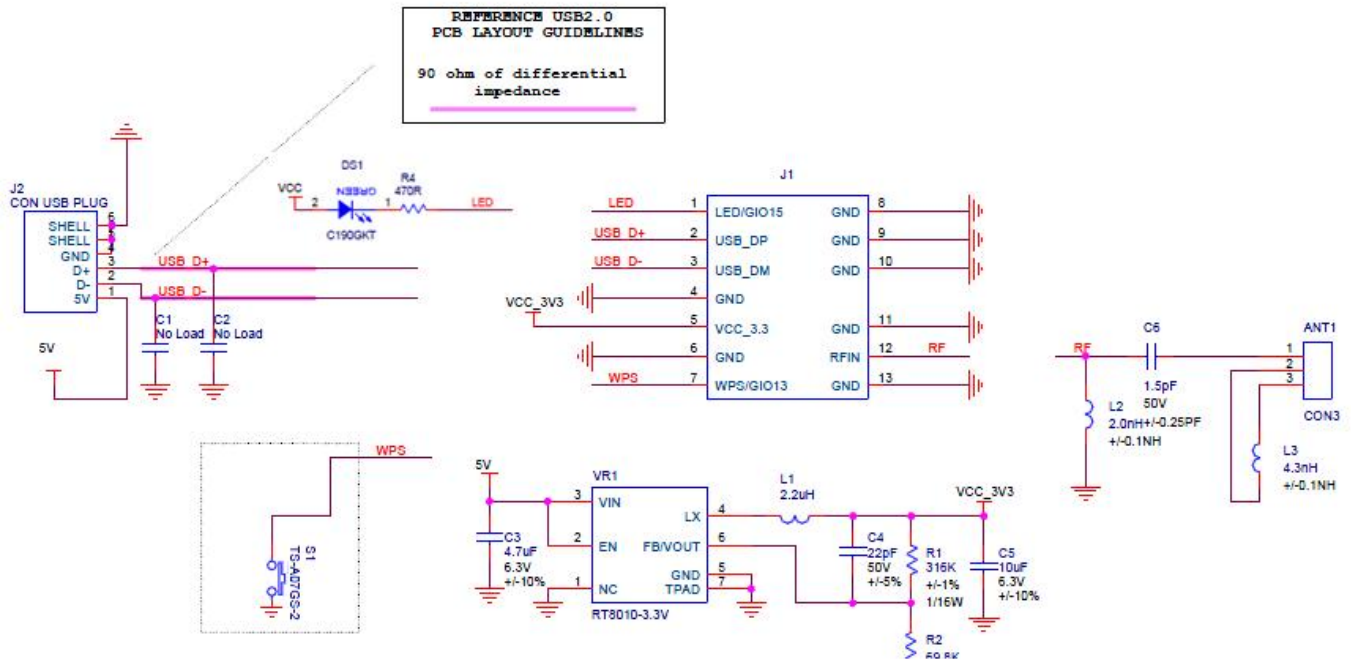


Figure 6: SKW17A schematic application

12. Packaging Specification

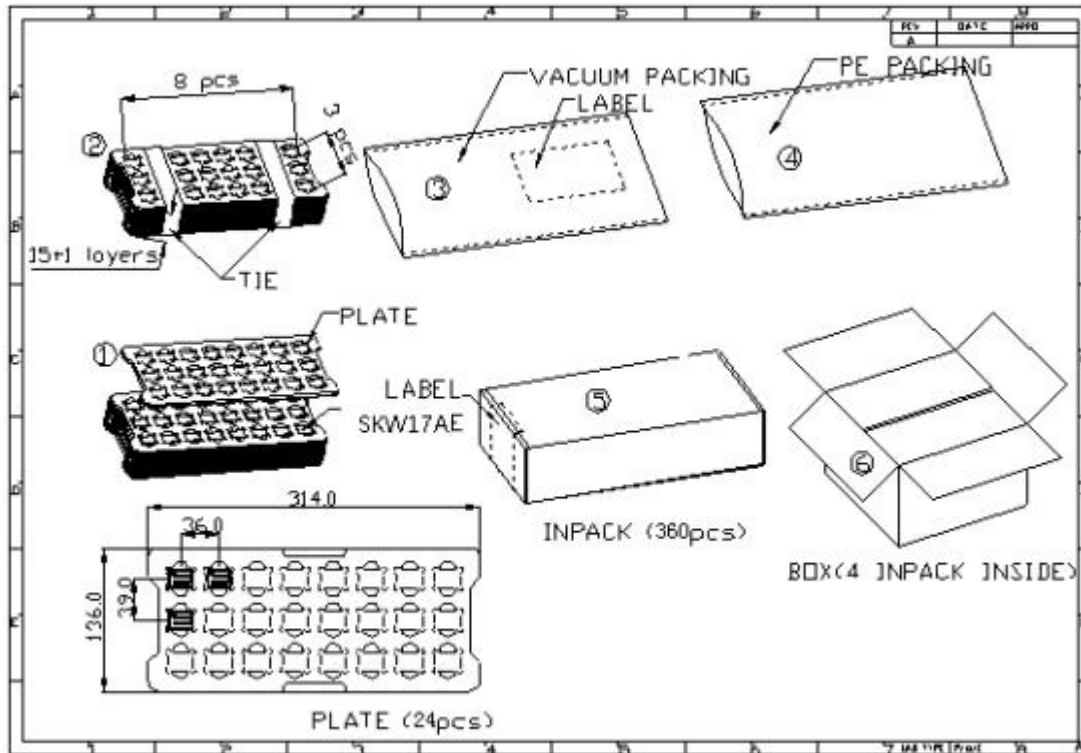


Figure 7: SKW17A Packaging

13. Contact Information

Skylab M&C Technology Co., Ltd.

深圳市天工测控技术有限公司

Address: 6 Floor, No.9 Building, Lijincheng Scientific & Technical park, Gongye East Road, Longhua District., Shenzhen, Guangdong, China

Phone: 86-755 8340 8210 (Sales Support)

Phone: 86-755 8340 8130 (Technical Support)

Fax: 86-755-8340 8560

E-Mail: sales1@skylab.com.cn

Website: www.skylab.com.cn www.skylabmodule.com