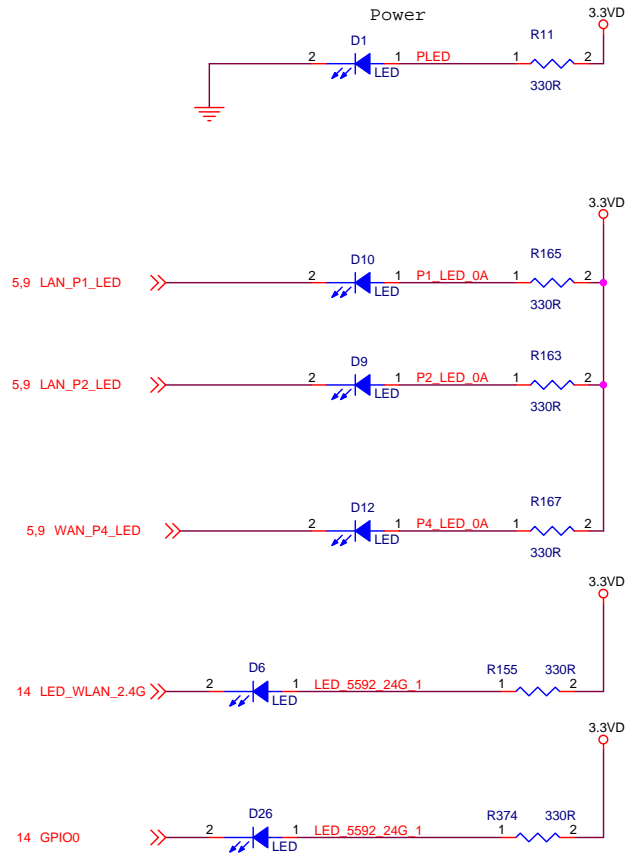


LED



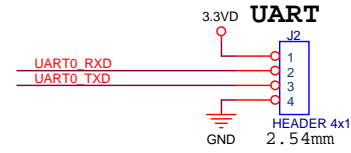
WPS switch



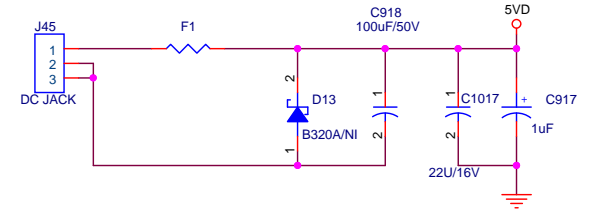
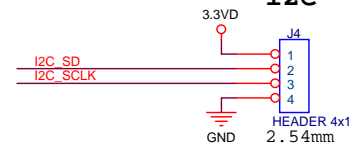
Reset switch



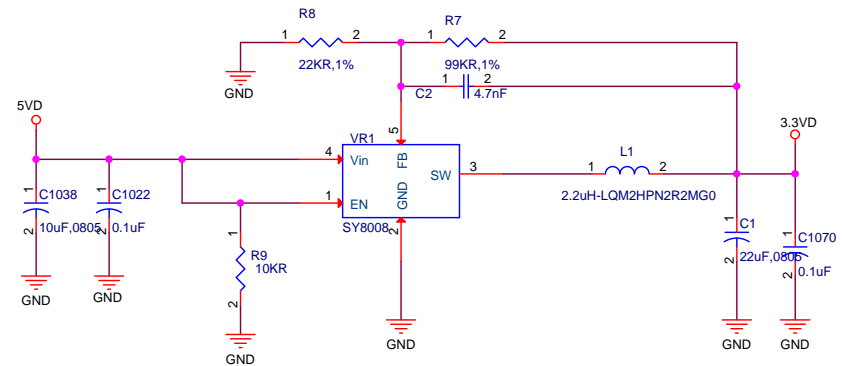
UART



I2C



3.3V/1A



USB2.0

